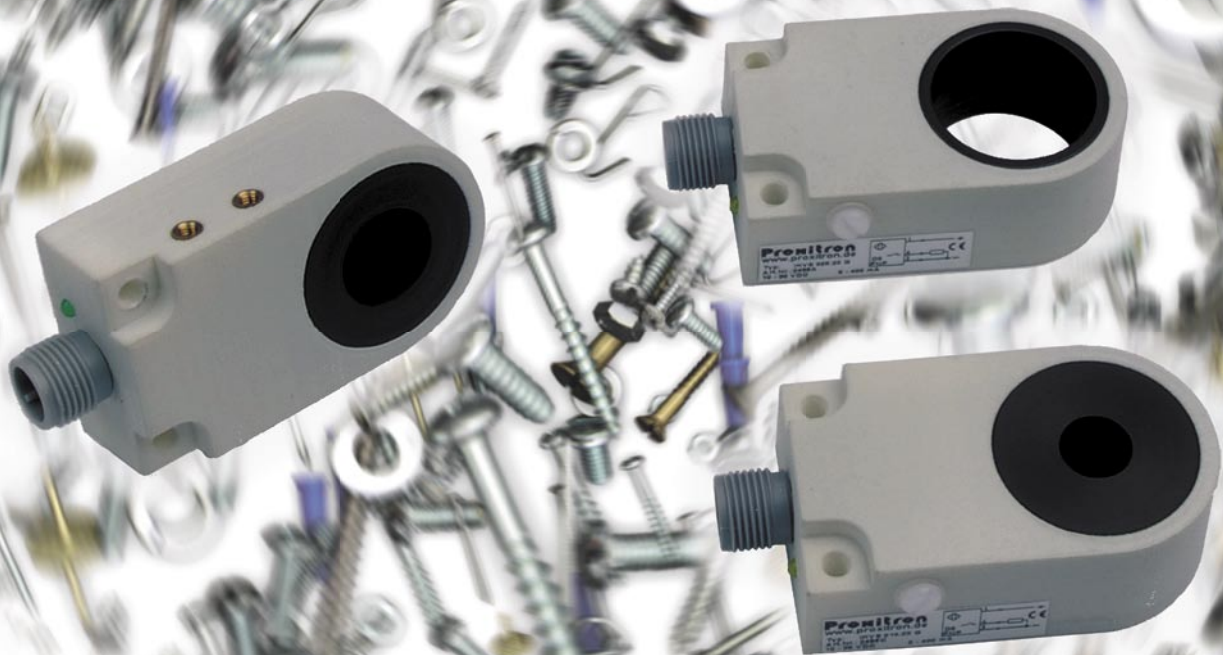


## Ring Sensors IKVS

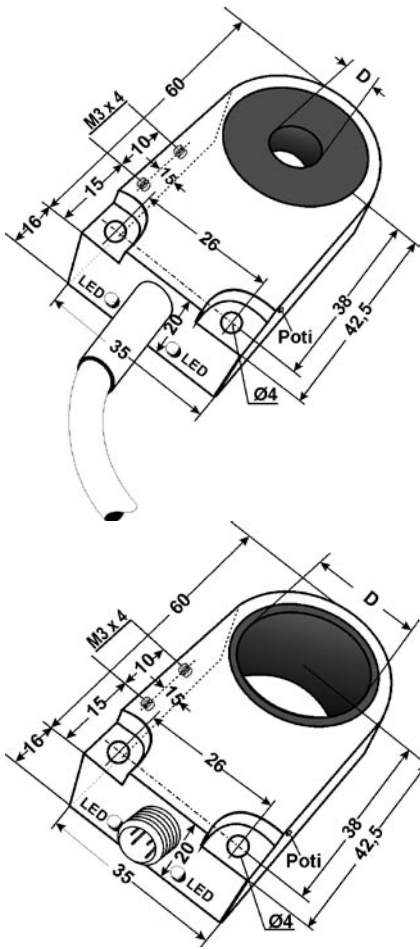
the  
next  
generation



- detection of metallic parts
- string mountable
- universally mountable
- integrated pulse duration

Ring sensors with low dimensions and integrated screening being suitable for row packaging on the narrowest room. The sensitivity is adjustable.

Three diameter sizes in normally open or normally closed version with plug or connection cable are available at the base version.



Connections	Diameter D	Min. target size	Output	Type (art-no.)
cable PVC 2 m arbitrary cable lengths available	Ø 10,1 mm	steel ball Ø 2 mm	PNP-normally open	IKVS 010.23 G (2497A)
			PNP-normally closed	IKVS 010.22 G (2497C)
	Ø 15,1 mm	steel ball Ø 3 mm	PNP-normally open	IKVS 015.23 G (2496A)
			PNP-normally closed	IKVS 015.22 G (2496C)
	Ø 25,1 mm	steel ball Ø 4 mm	PNP-normally open	IKVS 025.23 G (2495A)
			PNP-normally closed	IKVS 025.22 G (2495C)
plug S4 M12x1	Ø 10,1 mm	steel ball Ø 2 mm	PNP-normally open	IKVS 010.23 G S4 (2497B)
			PNP-normally closed	IKVS 010.22 G S4 (2497D)
	Ø 15,1 mm	steel ball Ø 3 mm	PNP-normally open	IKVS 015.23 G S4 (2496B)
			PNP-normally closed	IKVS 015.22 G S4 (2496D)
	Ø 25,1 mm	steel ball Ø 4 mm	PNP-normally open	IKVS 025.23 G S4 (2495B)
			PNP-normally closed	IKVS 025.22 G S4 (2495D)
Accessory	Tube centring for ring sensor Ø 25,1 mm			HSZ 025 (9808A)

Proxitron ring sensors are in further sizes and designs deliverable: Analog output, impulse prolongation adjustable, custom-designed variants and others

## General Data

Sensitivity	adjustable
Target velocity max.	60 m/s
Supply voltage	10 – 30 V DC
Ripple voltage	< 15 %
Load current max.	0 – 400 mA
Short-time load current	2 A / 10 ms; 0,8 A / 100 ms
Short circuit protection	yes
No load current	< 10 mA
Voltage drop	< 2 V
Pulse duration	60 ms *
Switching frequency	16 Hz *
Ambient temperature	-25 ... +70 °C
Lateral string mountable	yes
Stackable	yes, > 20 mm minimum distance
Protection class	IP 67
Output indication	LED
Housing material	plastic

\* divergent values impulse prolongation / switching frequency deliverable.

## Applications

**Detection of screws, nails, bolts and similar.**

**Ejection control**

**Object counting**

**Wire break monitoring**

**Nailing machines for pallet production**

**Feeding in assembly technology**

**Parts jam control**